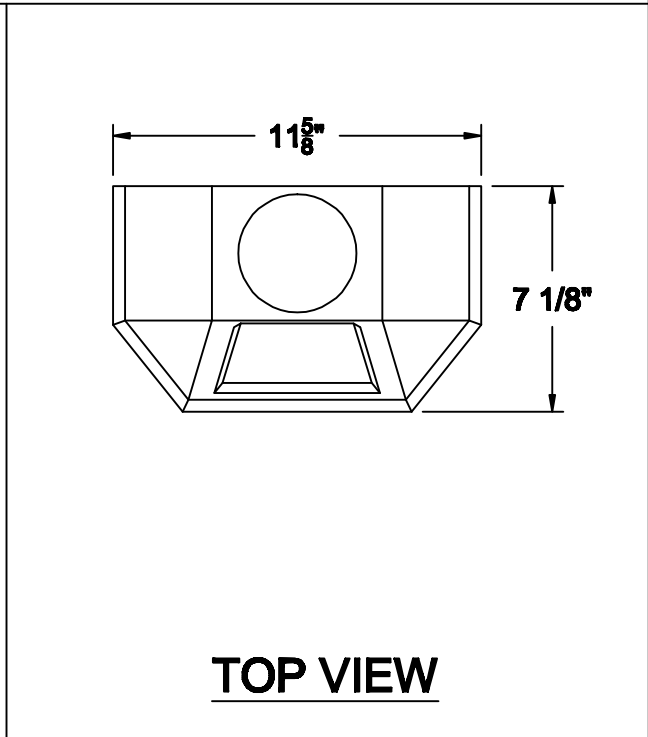
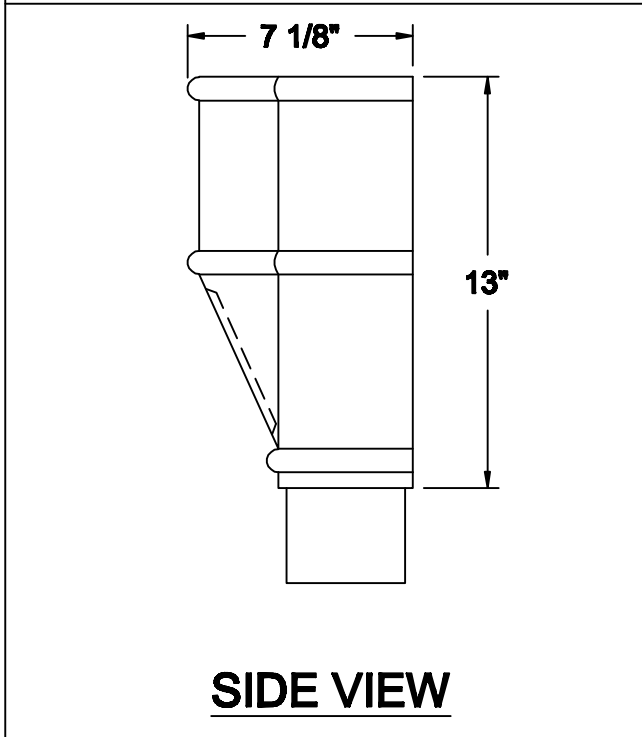
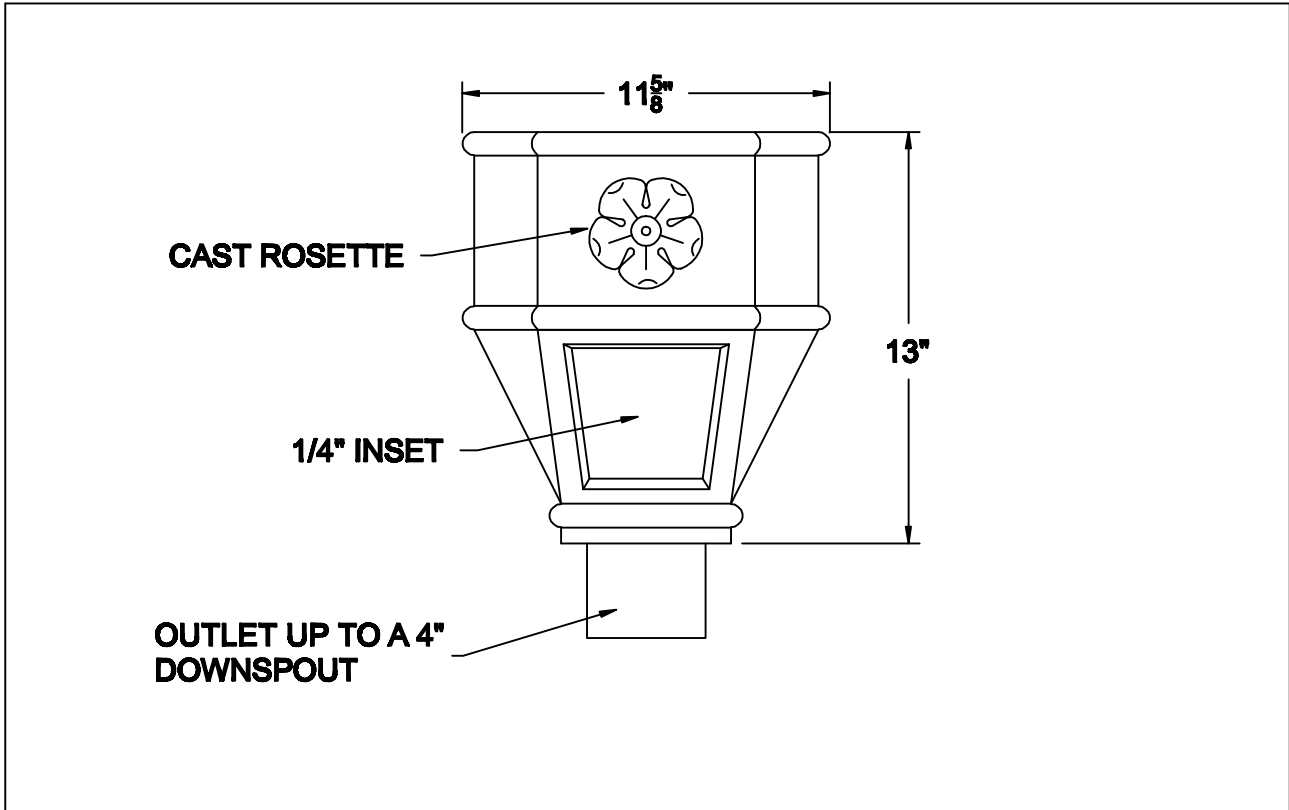


# CONDUCTOR HEADS

## THE ABBEY



AVAILABLE MATERIALS		PRE WEATHERED ZINC	
COPPER	ZINC/TIN COATED COPPER	PAINT GRIP STEEL	GALVANIZED