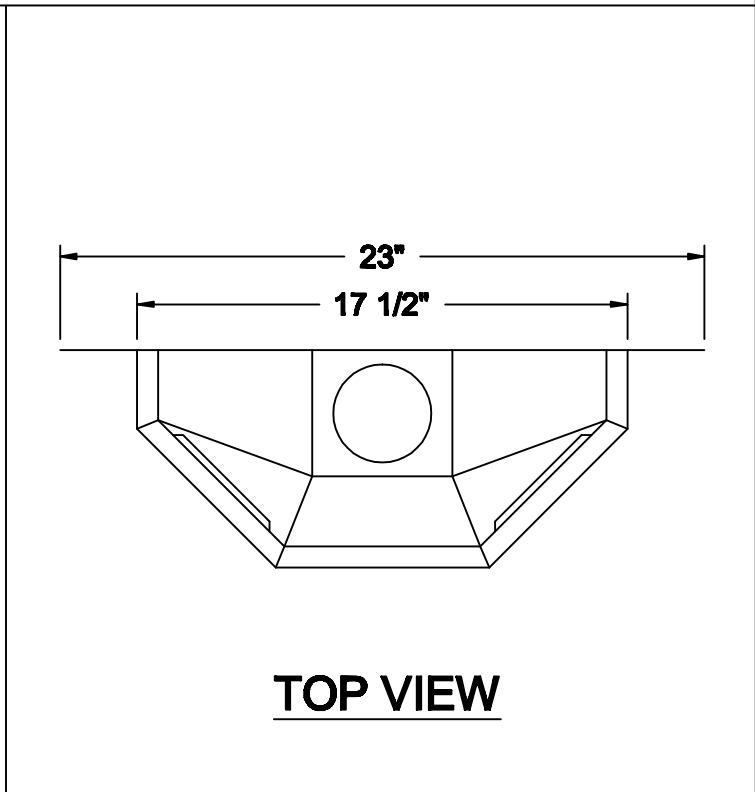
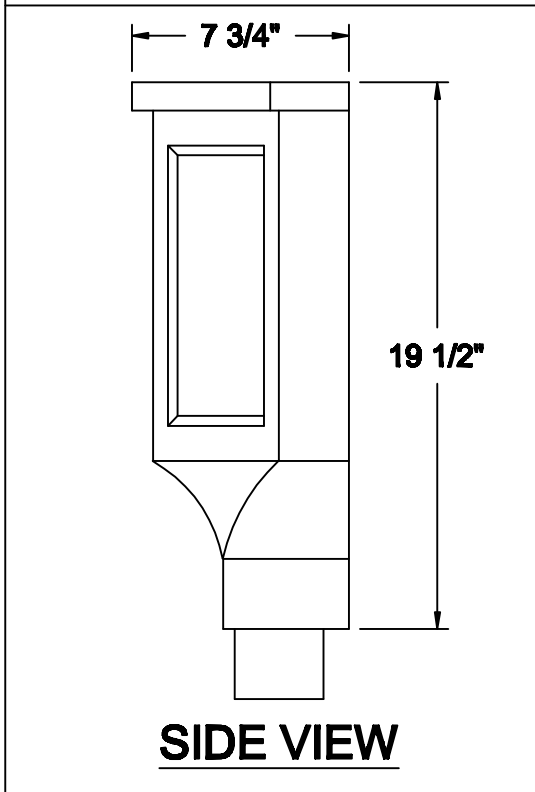
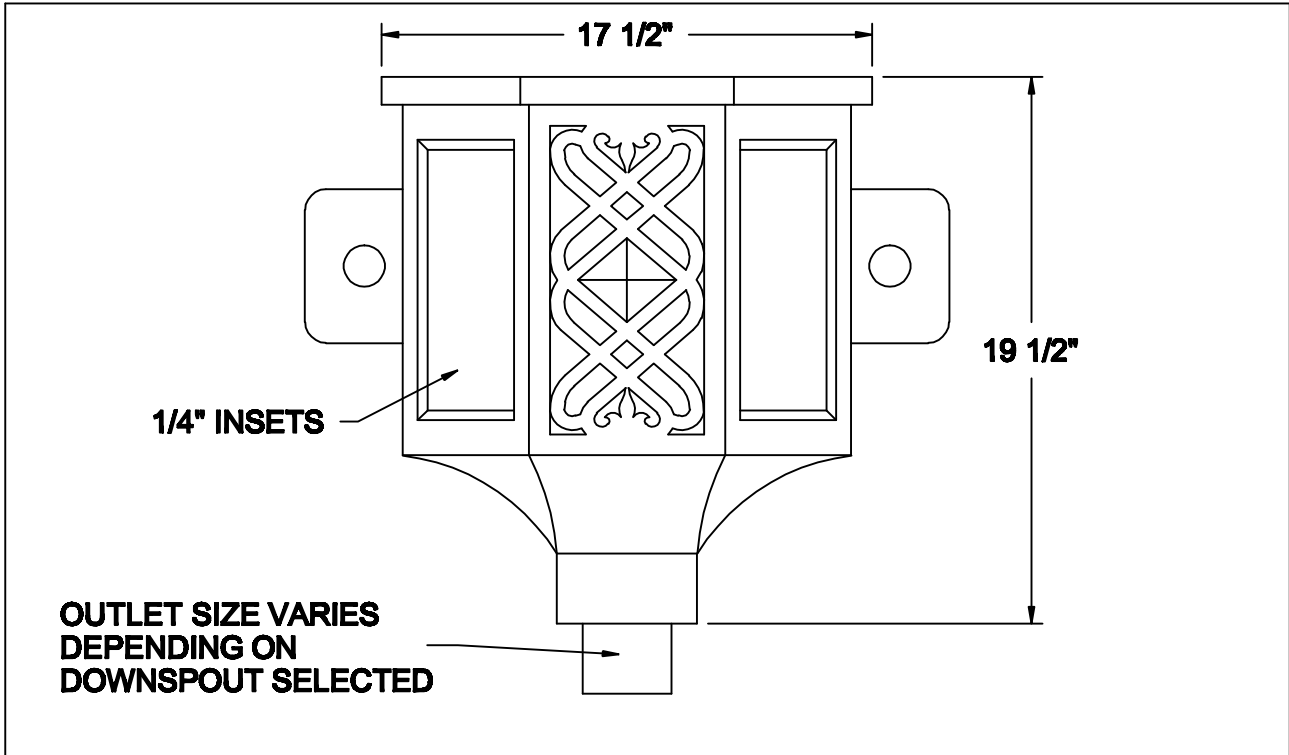


CONDUCTOR HEADS THE CHANCELLOR



AVAILABLE MATERIALS
COPPER ZINC/TIN COATED COPPER