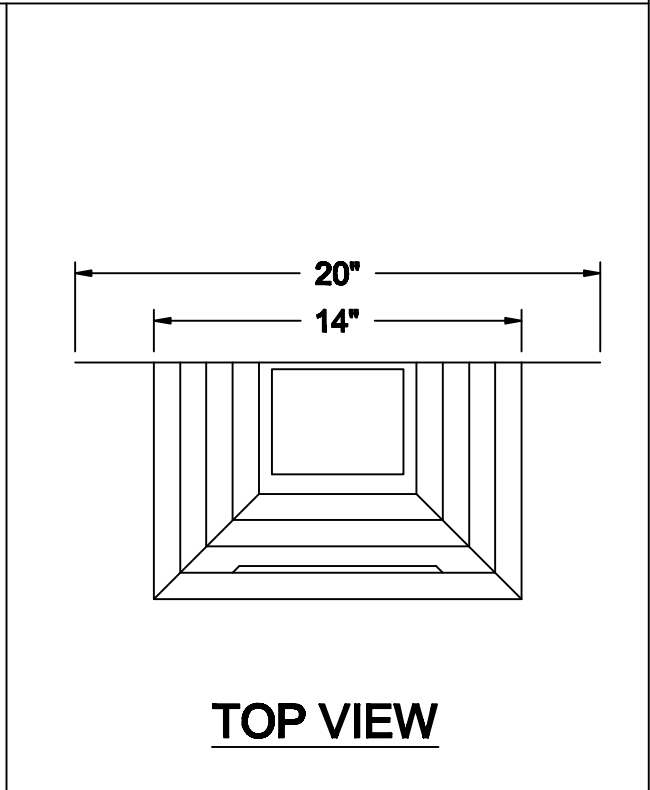
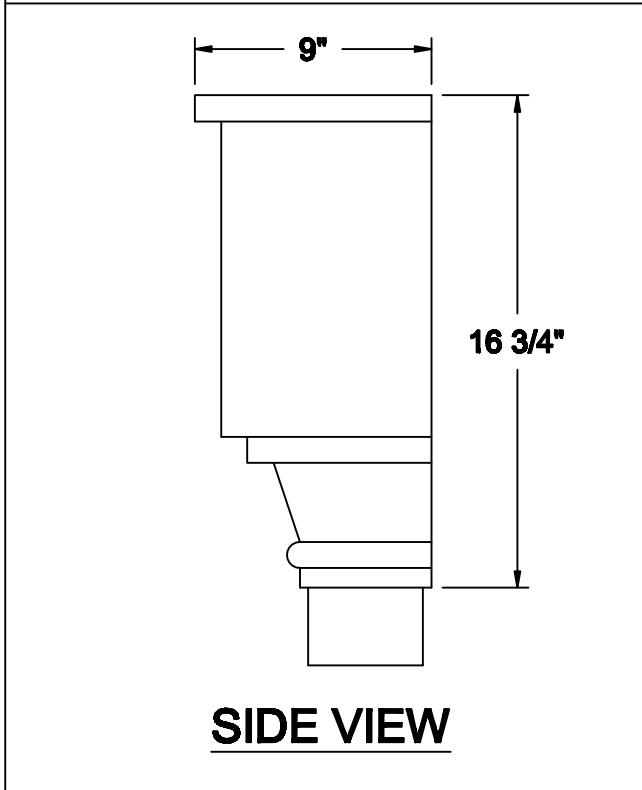
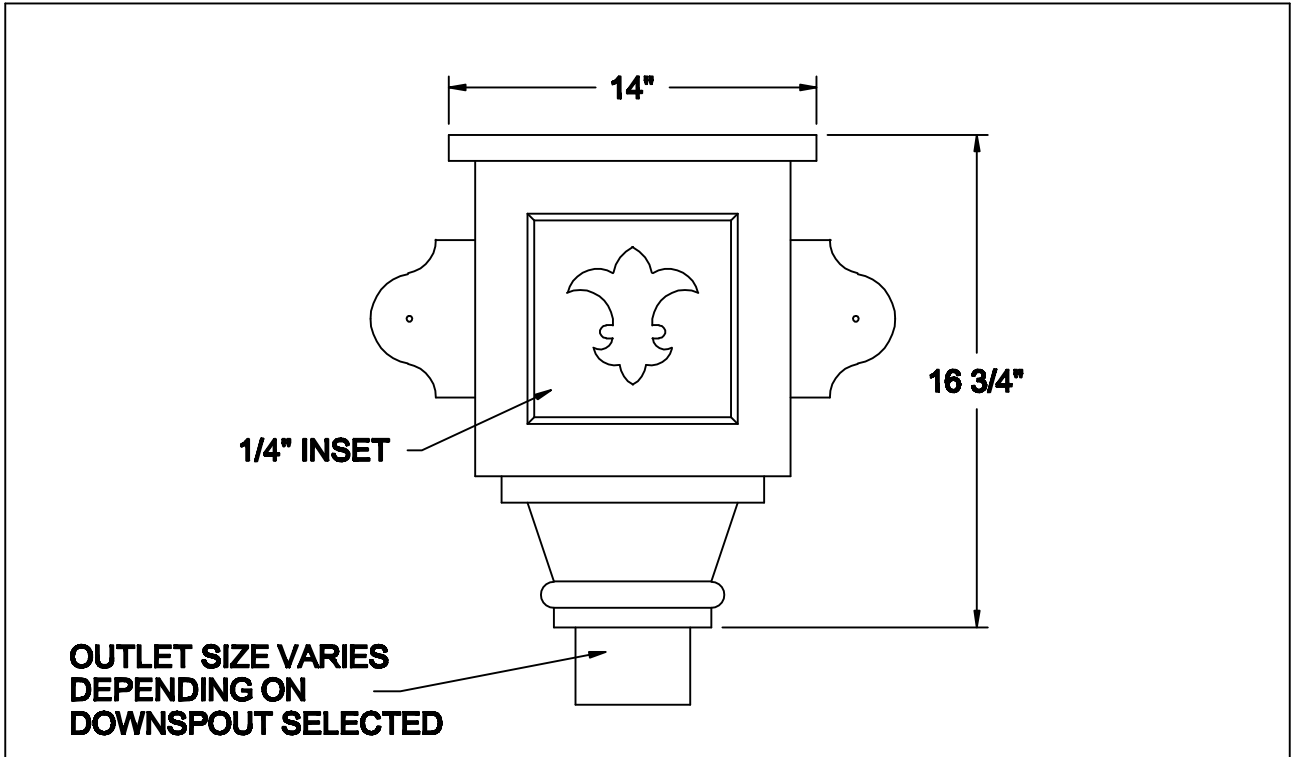


CONDUCTOR HEADS THE CHESTERFIELD



AVAILABLE MATERIALS
 COPPER ZINC/ TIN COATED COPPER PRE WEATHERED ZINC
 PAINT GRIP STEEL GALVANIZED