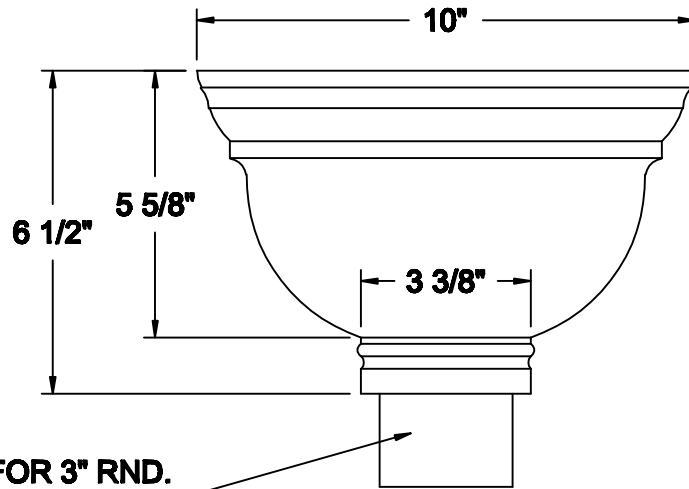
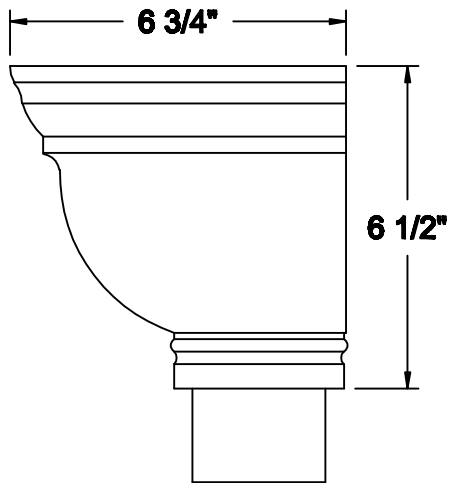


CONDUCTOR HEADS

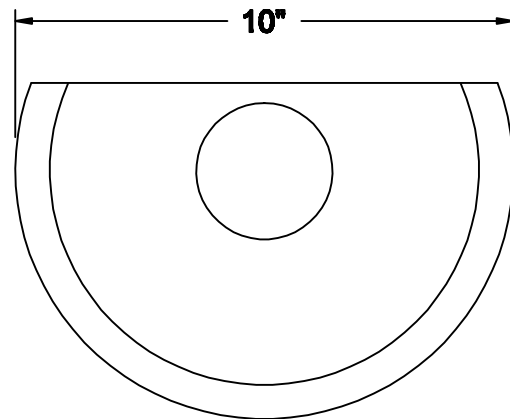
THE MINI-HEATH



OUTLET FOR 3" RND.
DOWNSPOUT ONLY



SIDE VIEW



TOP VIEW

AVAILABLE MATERIALS
COPPER TIN COATED COPPER ALUMINUM