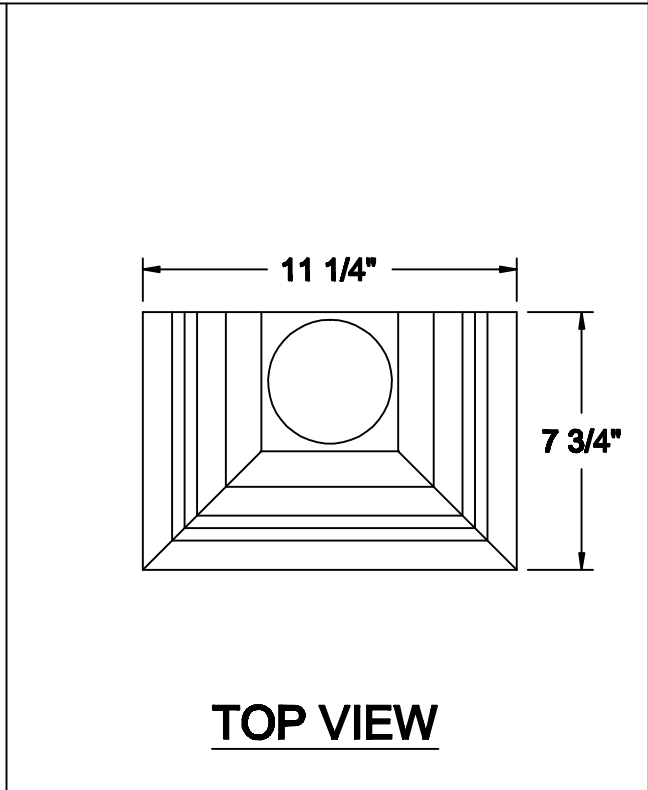
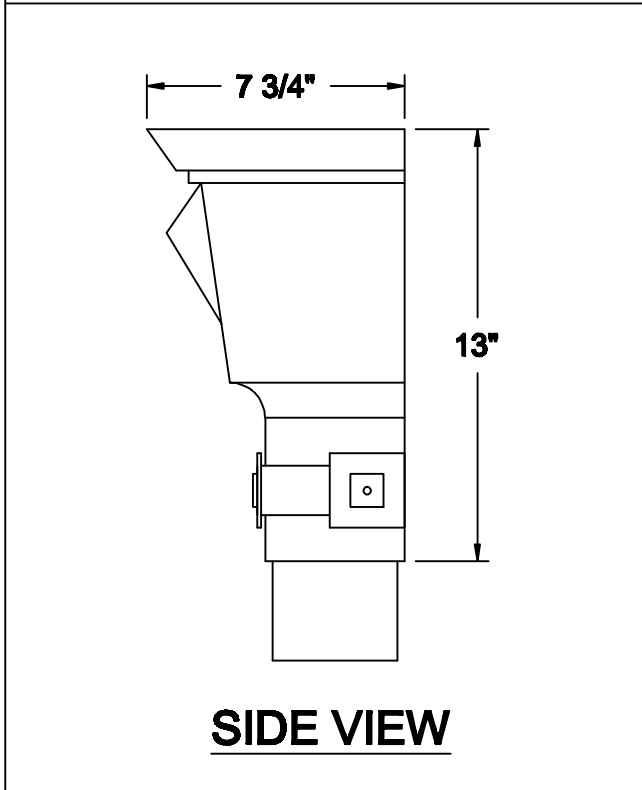
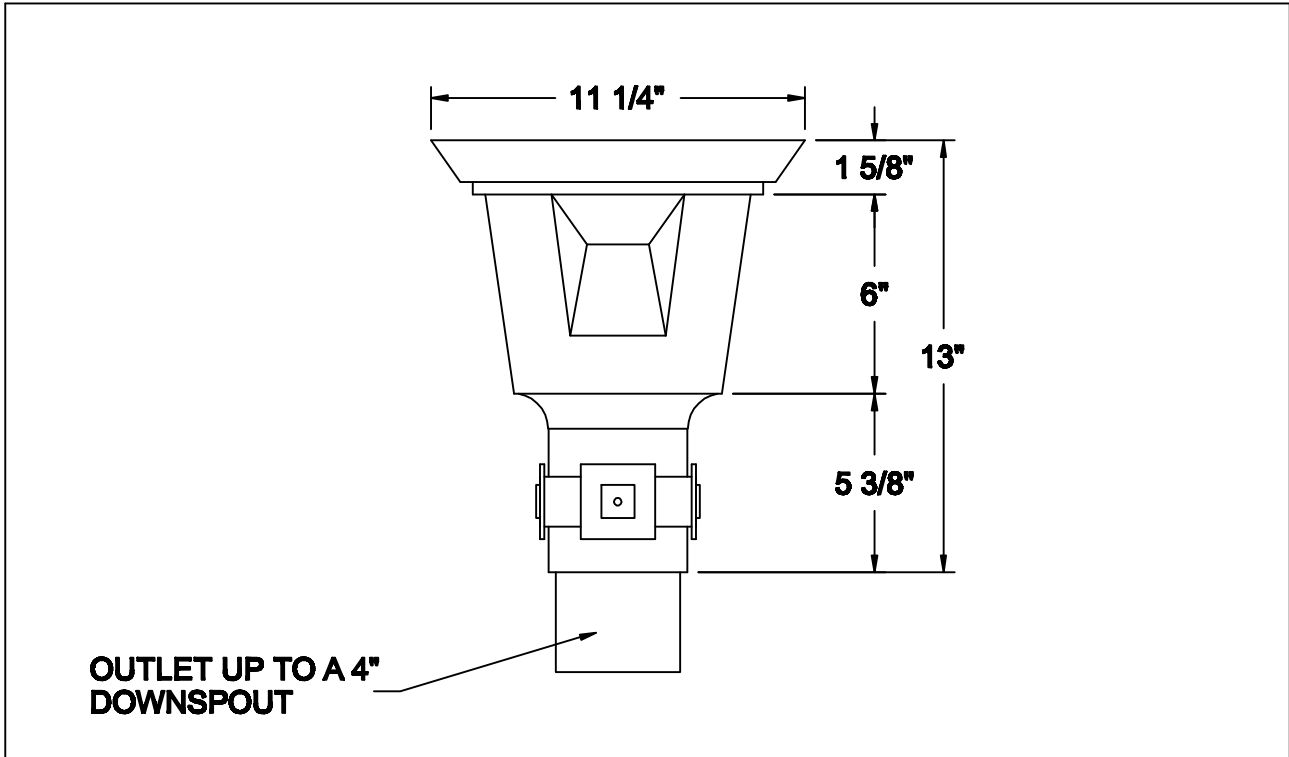


CONDUCTOR HEADS THE NOTTINGHAM



AVAILABLE MATERIALS
COPPER ZINC/TIN COATED COPPER

PRE WEATHERED ZINC GALVANIZED
PAINT GRIP STEEL

COPPER CRAFT
A EURAMAX COMPANY