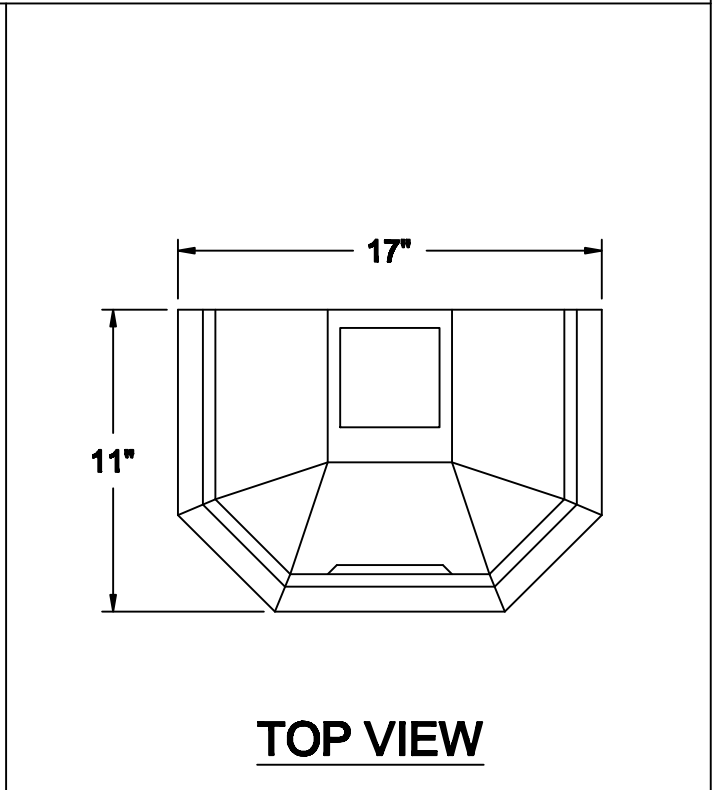
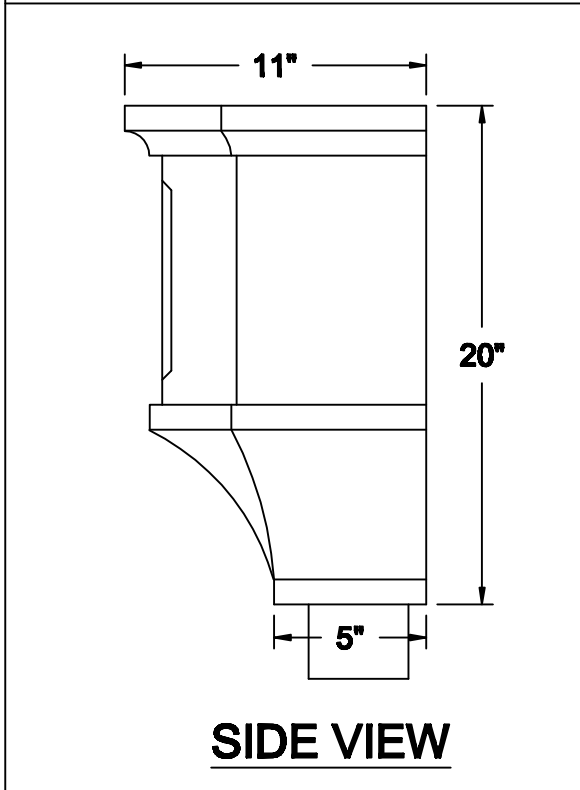
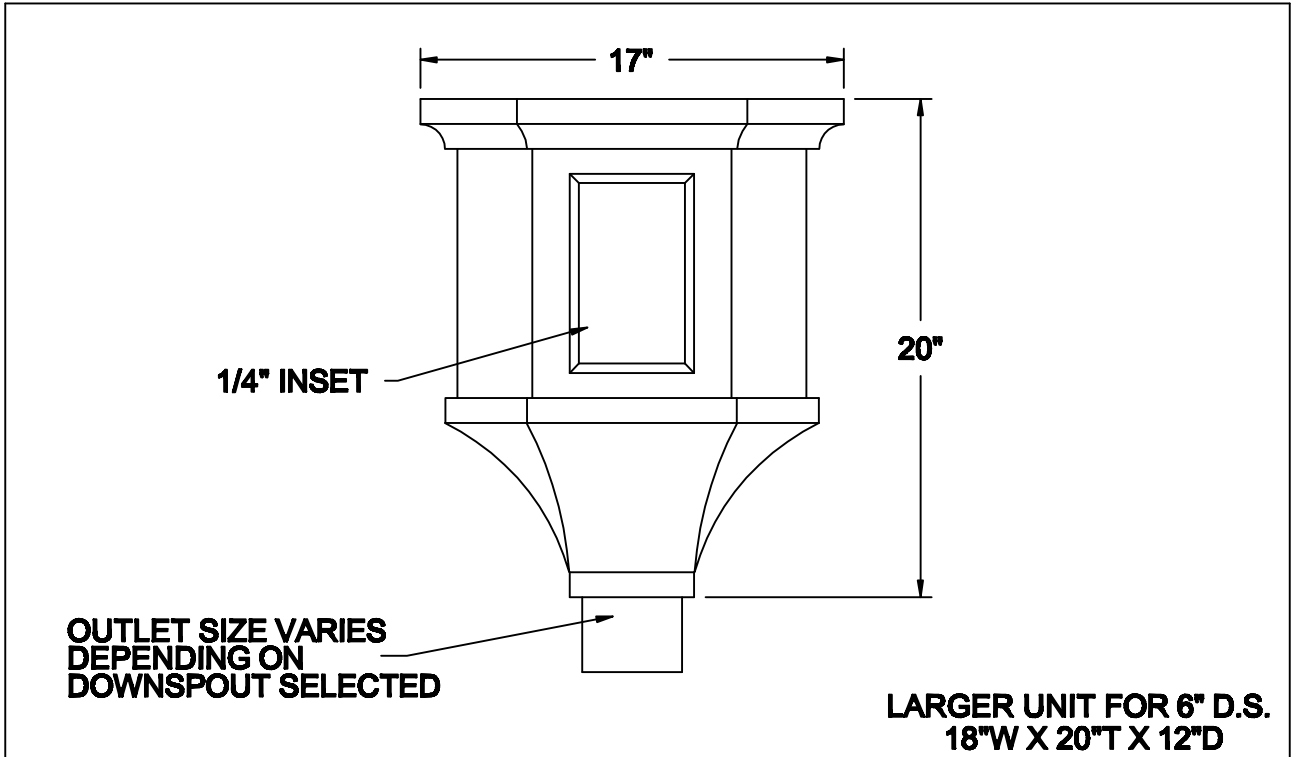


CONDUCTOR HEADS

THE BARON



AVAILABLE MATERIALS

COPPER ZINC/TIN COATED COPPER PAINT GRIP STEEL PRE WEATHERED ZINC