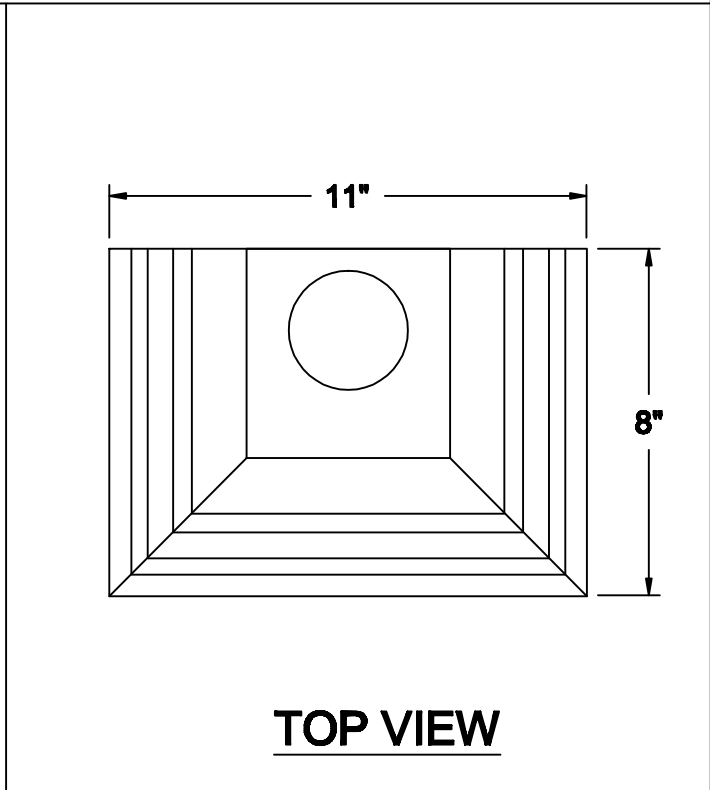
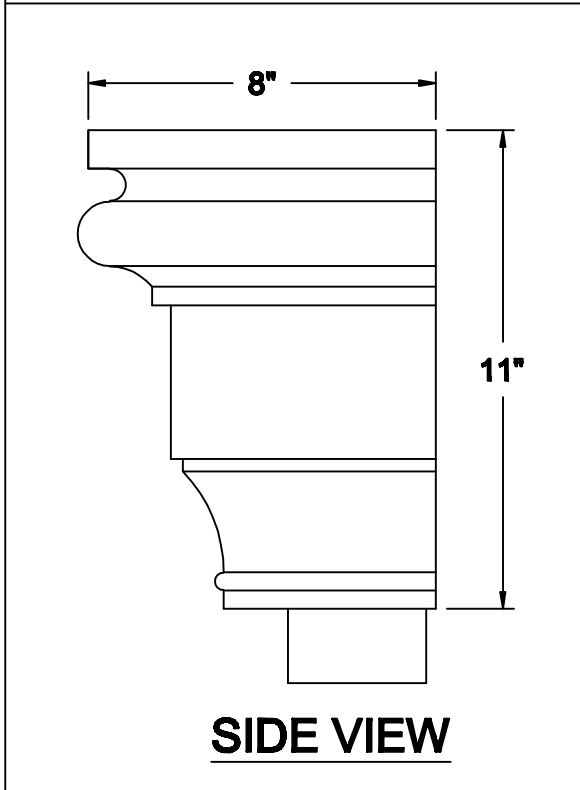
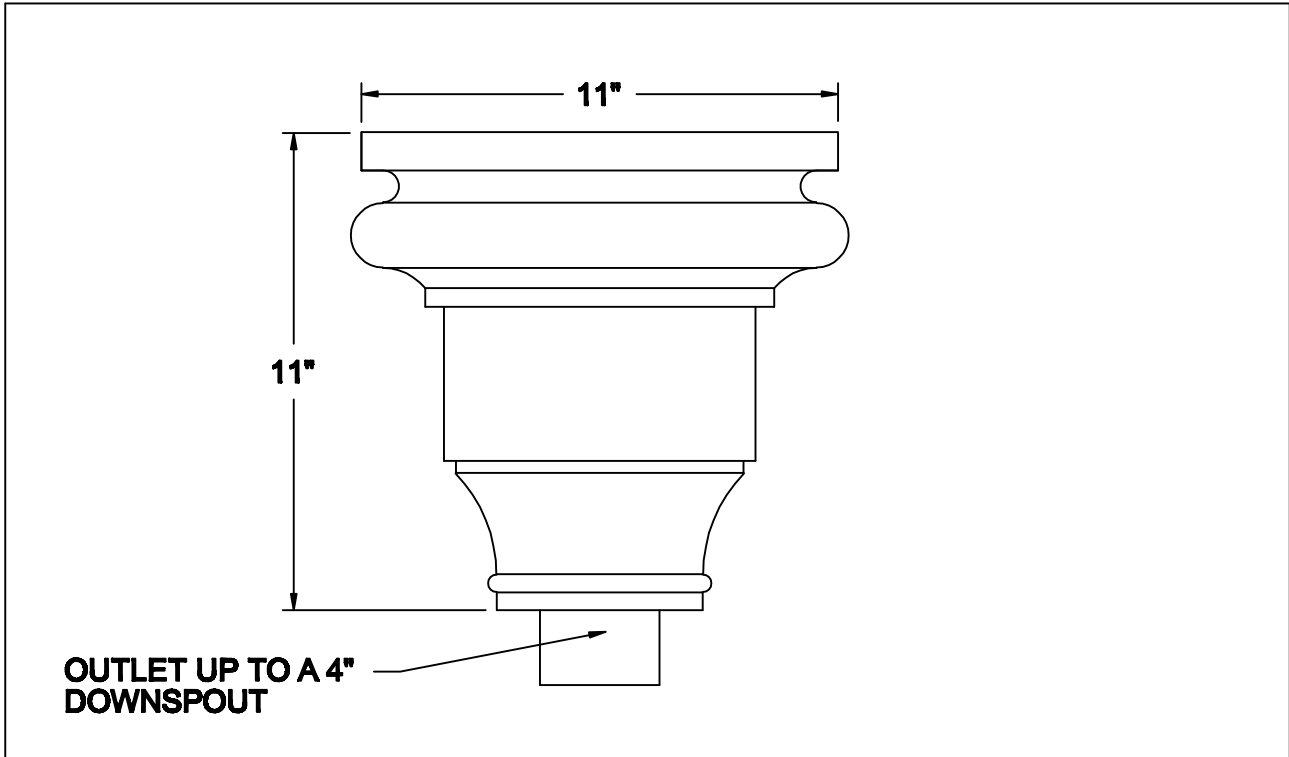


CONDUCTOR HEADS THE CARLISLE



AVAILABLE MATERIALS
COPPER ZINC/TIN COATED COPPER PAINT GRIP STEEL PRE WEATHERED ZINC