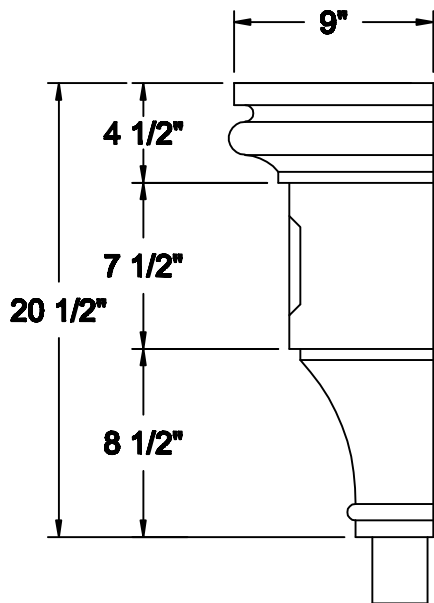
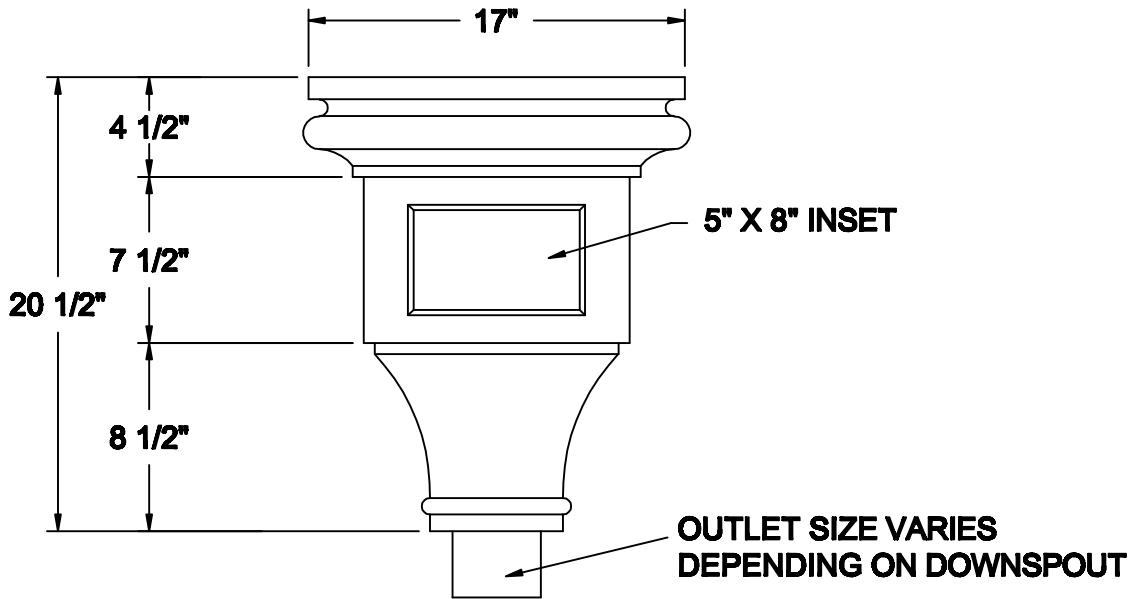
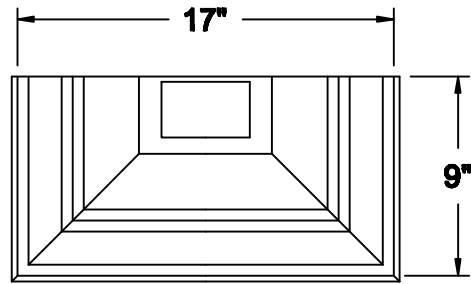


# CONDUCTOR HEADS THE CHURCHILL



**SIDE VIEW**



**TOP VIEW**

AVAILABLE MATERIALS  
COPPER      ZINC/TIN COATED COPPER

PRE WEATHERED ZINC  
PAINT GRIP STEEL      GALVANIZED