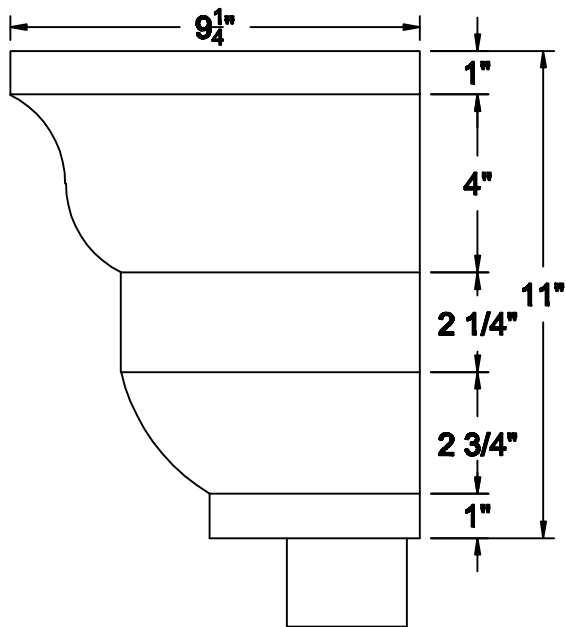
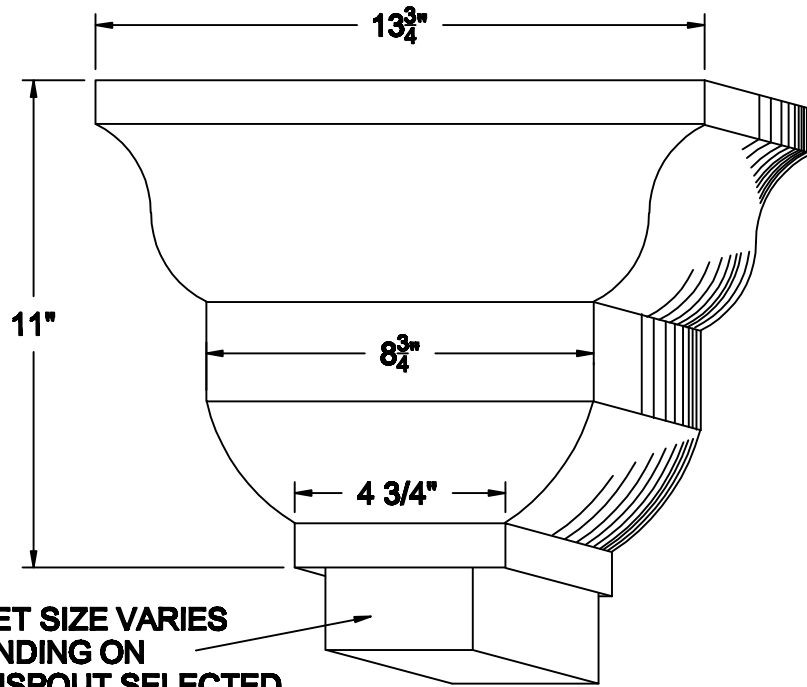
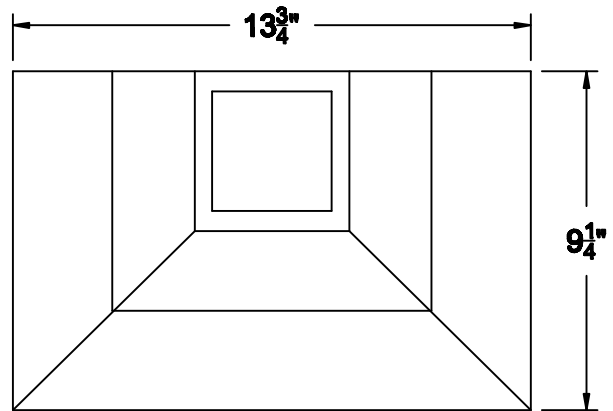


CONDUCTOR HEADS THE ESSEX



SIDE VIEW



TOP VIEW

AVAILABLE MATERIALS
COPPER ZINC/TIN COATED COPPER

PRE WEATHERED ZINC GALVANIZED
ALUMINUM PAINT GRIP STEEL