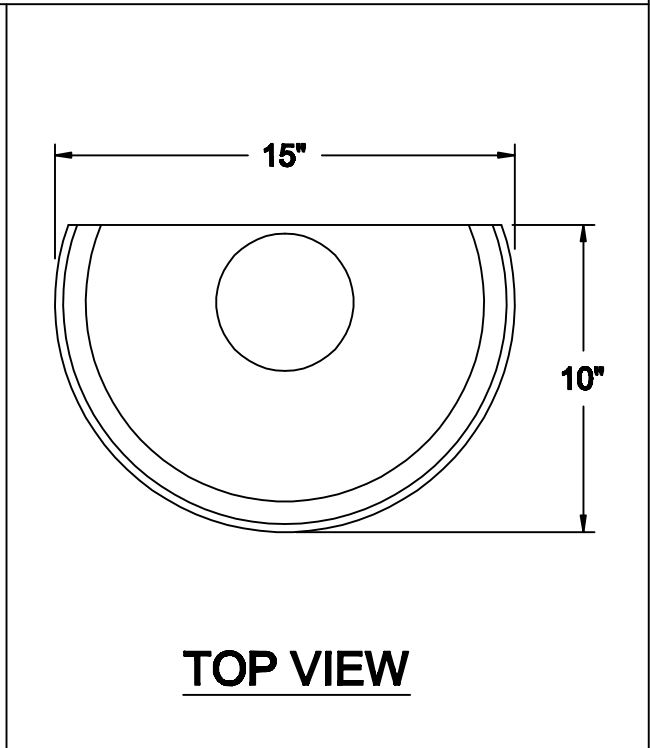
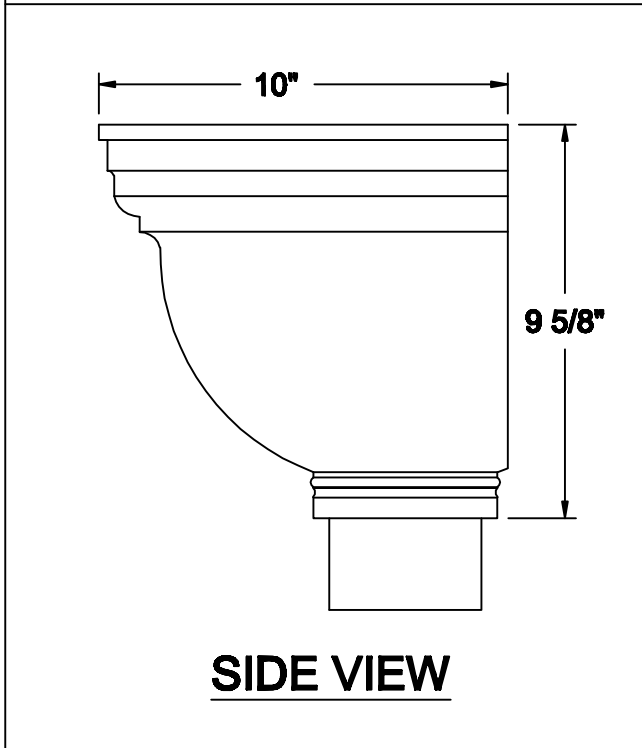
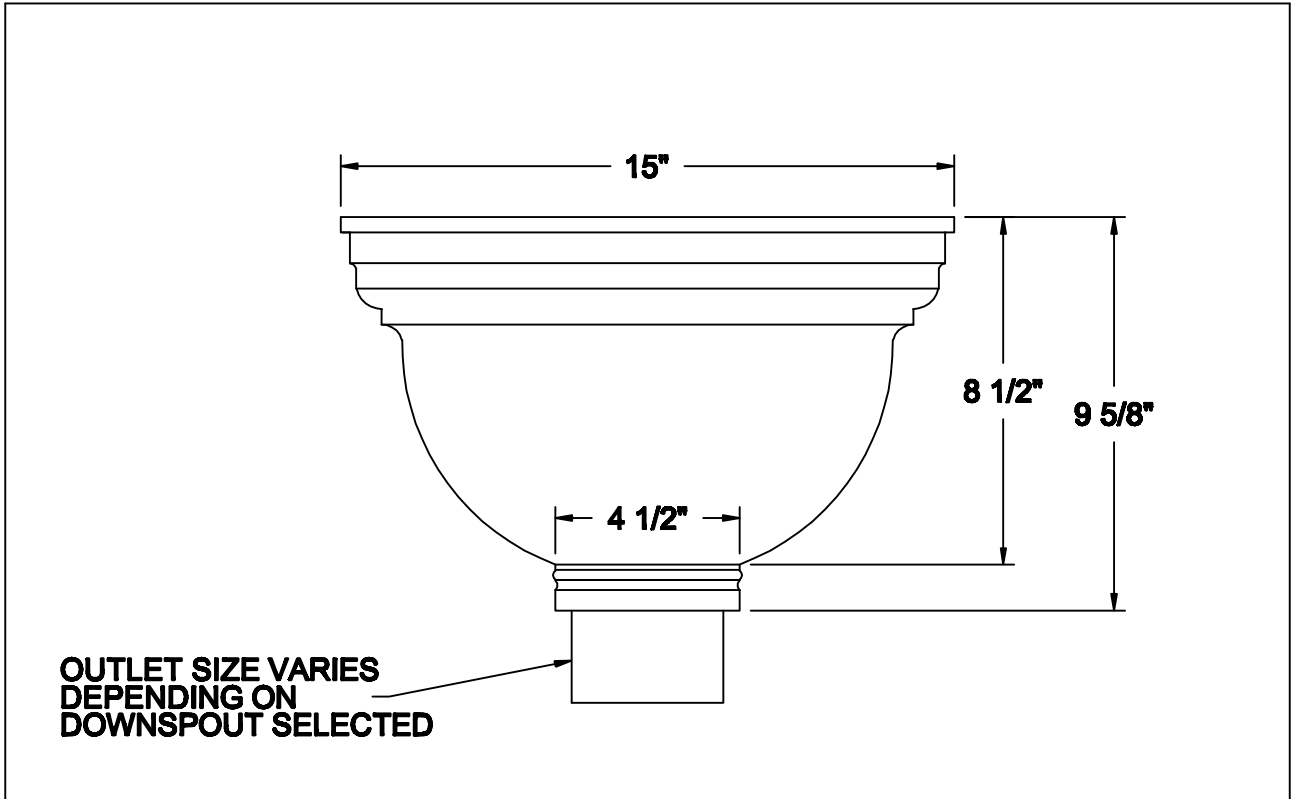


CONDUCTOR HEADS THE HEATH



AVAILABLE MATERIALS
 COPPER TIN COATED COPPER ALUMINUM