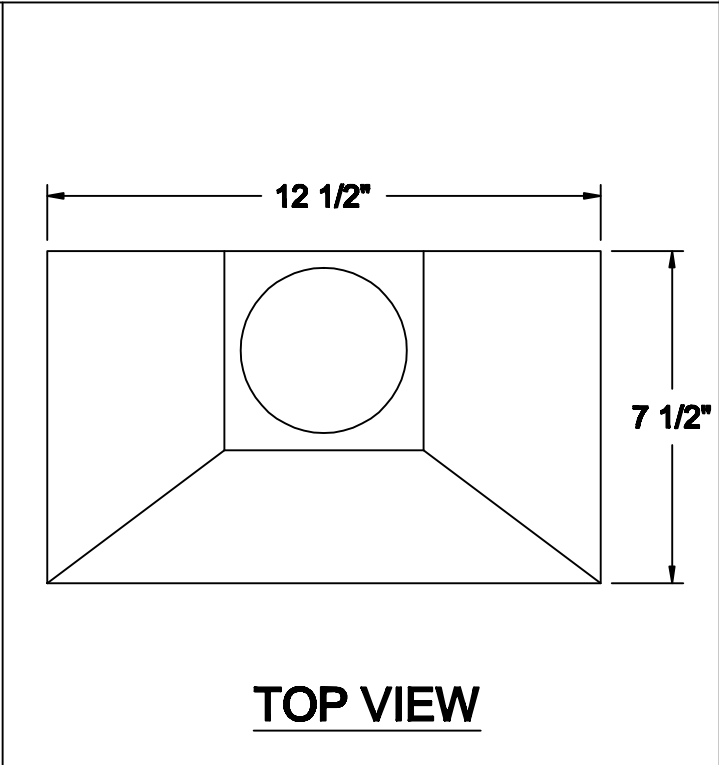
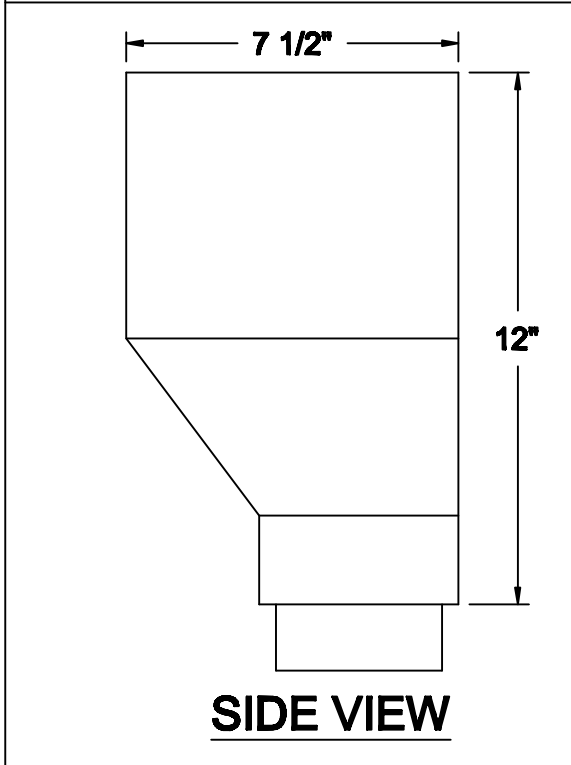
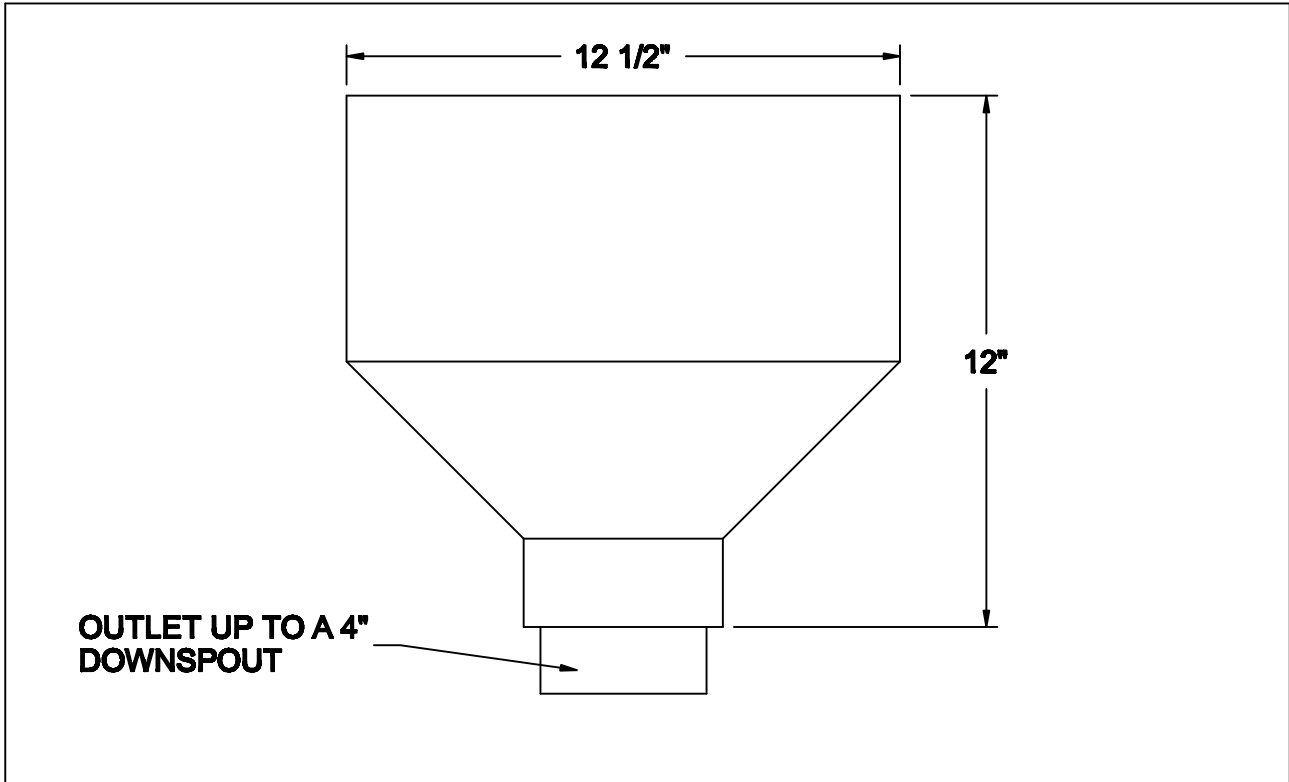


# CONDUCTOR HEADS THE INDUSTRIAL



AVAILABLE MATERIALS  
COPPER      ZINC/ TIN COATED COPPER

PRE WEATHERED ZINC  
ALUMINUM      PAINT GRIP STEEL