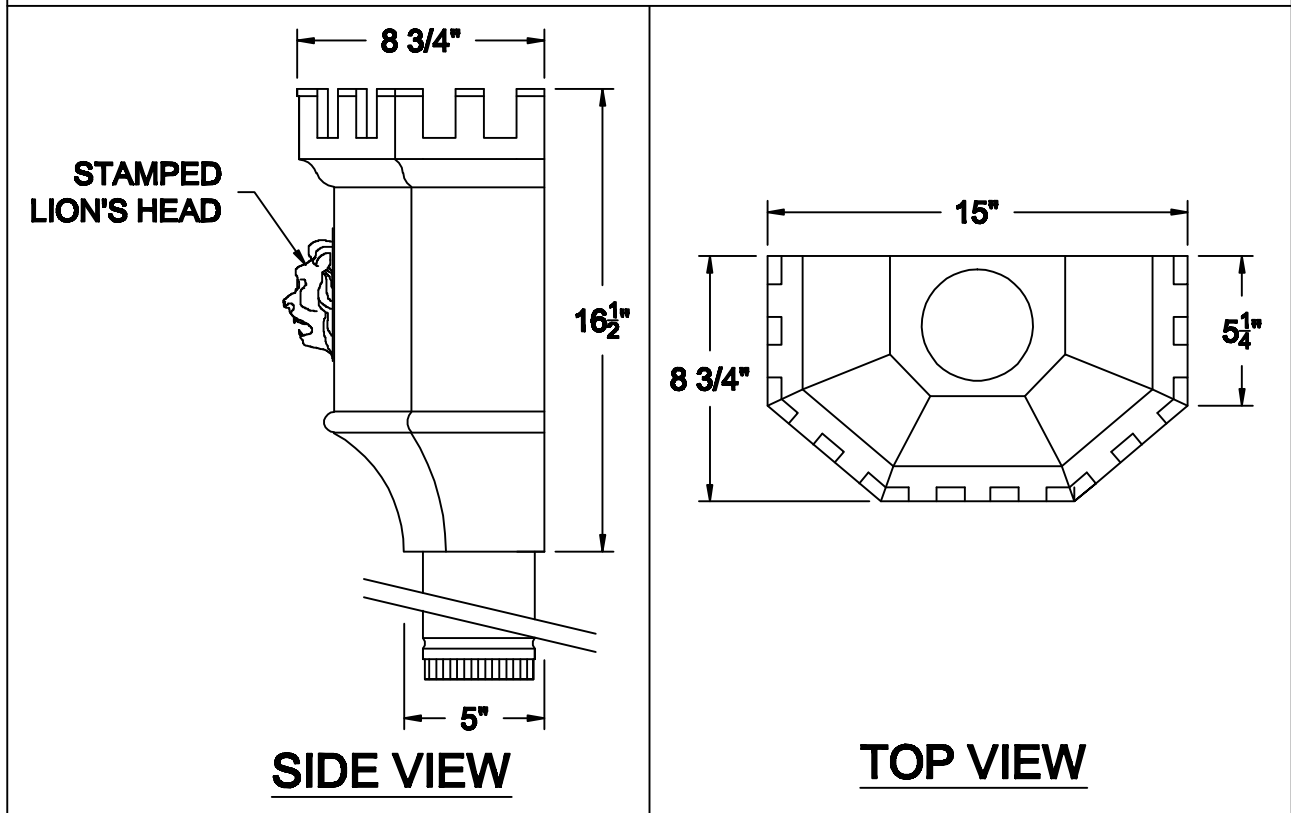
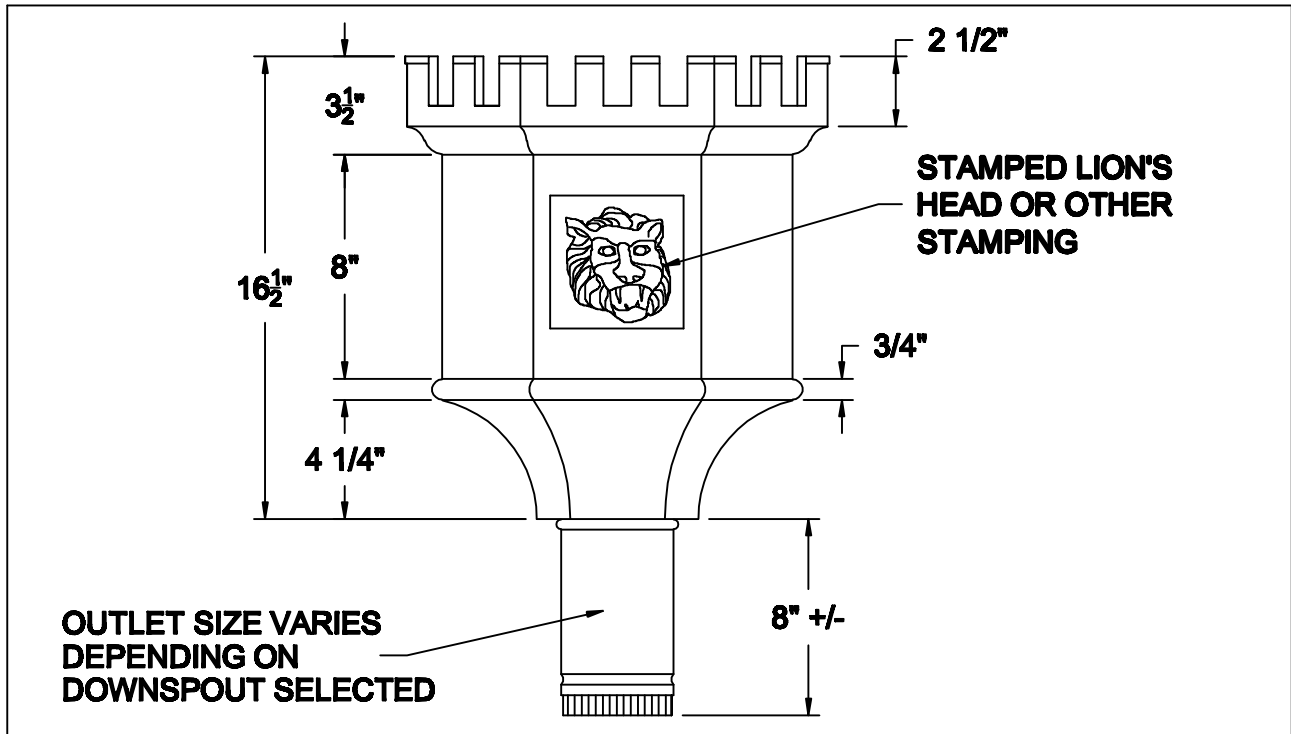


CONDUCTOR HEADS

THE MEDIEVAL



AVAILABLE MATERIALS
 COPPER ZINC/TIN COATED COPPER

PRE WEATHERED ZINC
 PAINT GRIP STEEL GALVANIZED