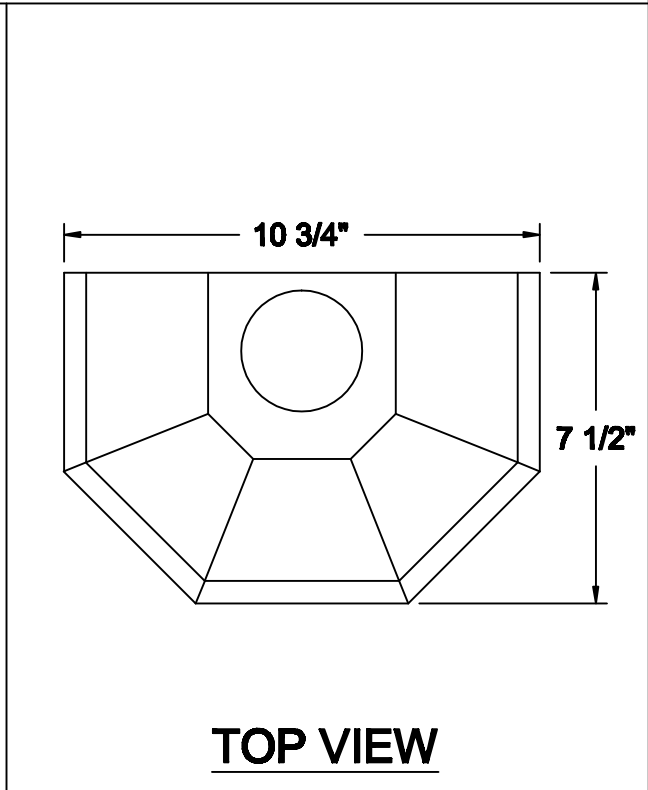
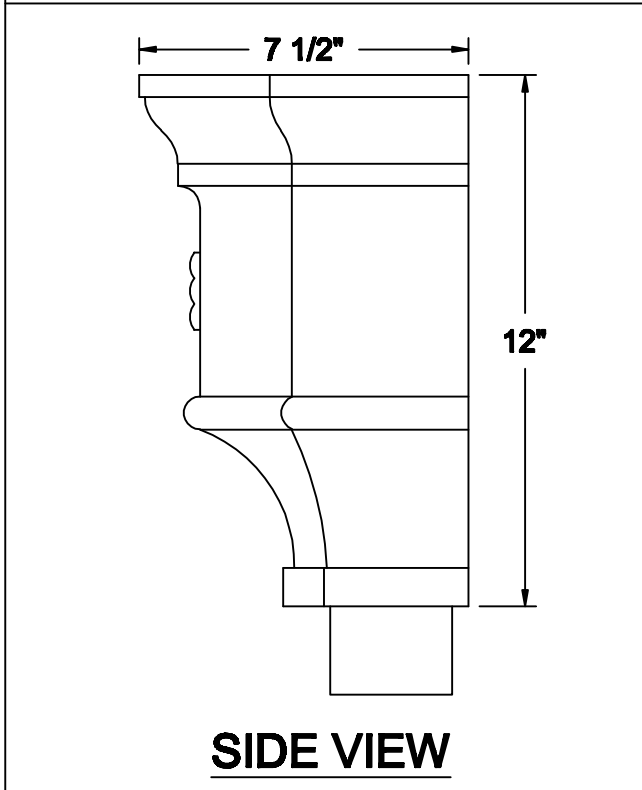
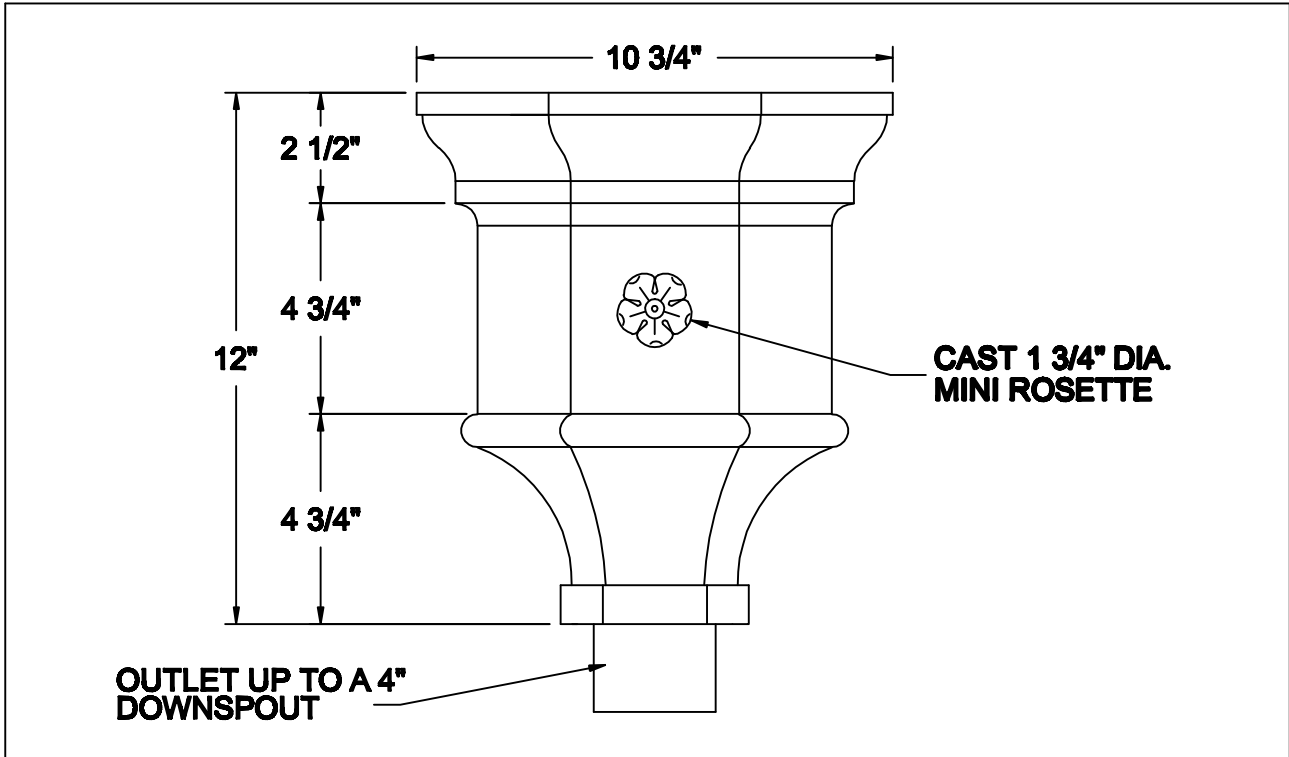


# CONDUCTOR HEADS

## THE MINI-ROYAL



AVAILABLE MATERIALS  
 COPPER      ZINC/TIN COATED COPPER      PAINT GRIP STEEL      PRE WEATHERED ZINC