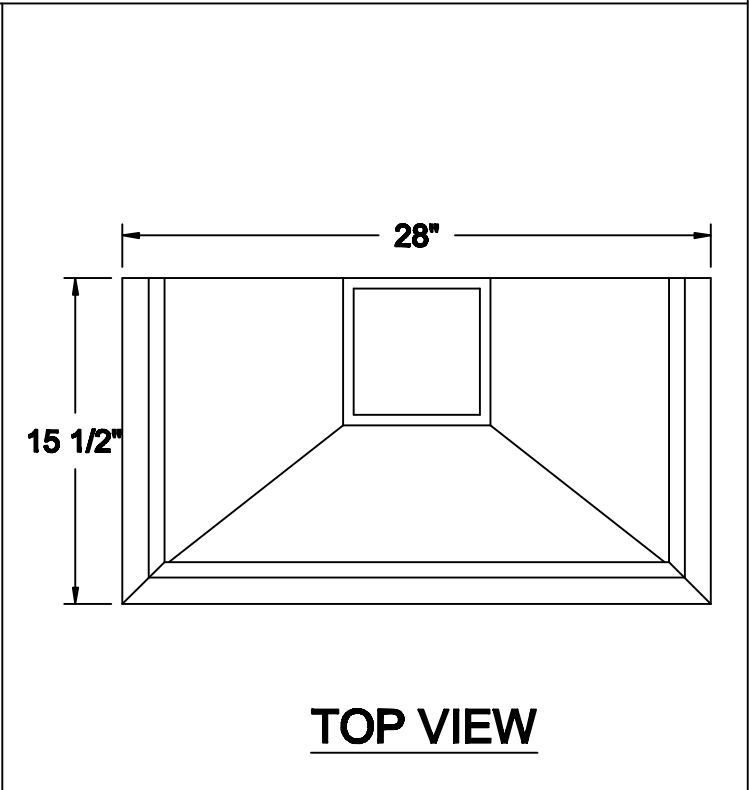
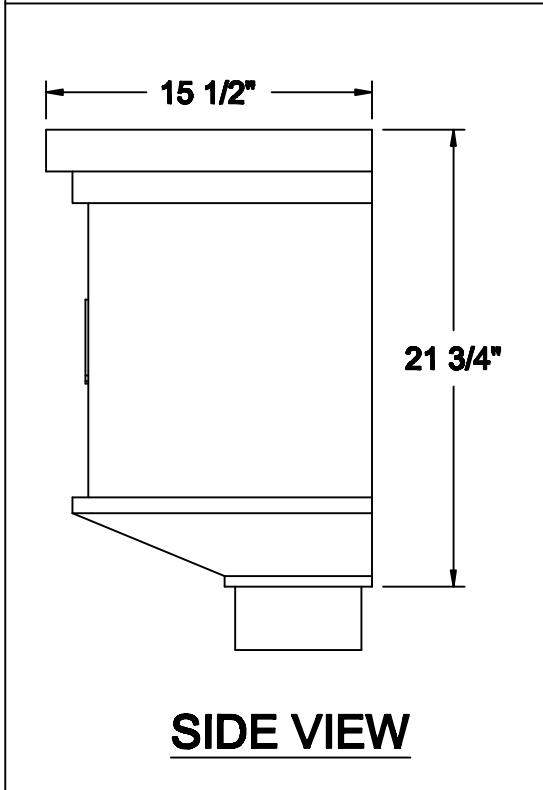
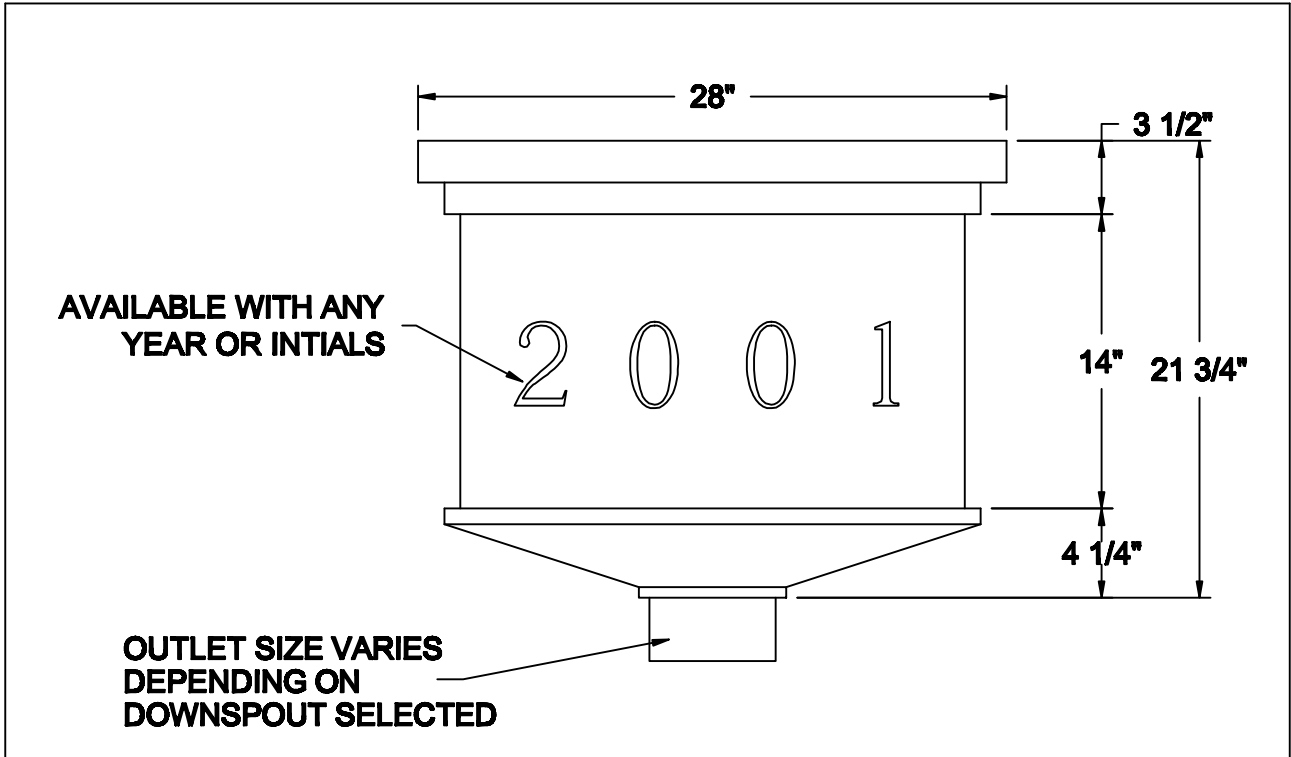


CONDUCTOR HEADS THE SOUTHAMPTON



AVAILABLE MATERIALS		PRE WEATHERED ZINC	
COPPER	ZINC/TIN COATED COPPER	PAINT GRIP STEEL	GALVANIZED