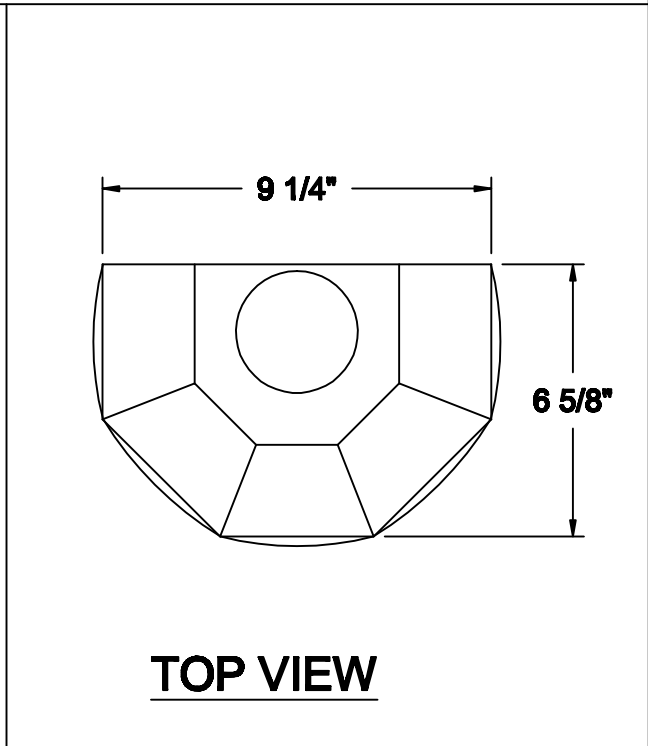
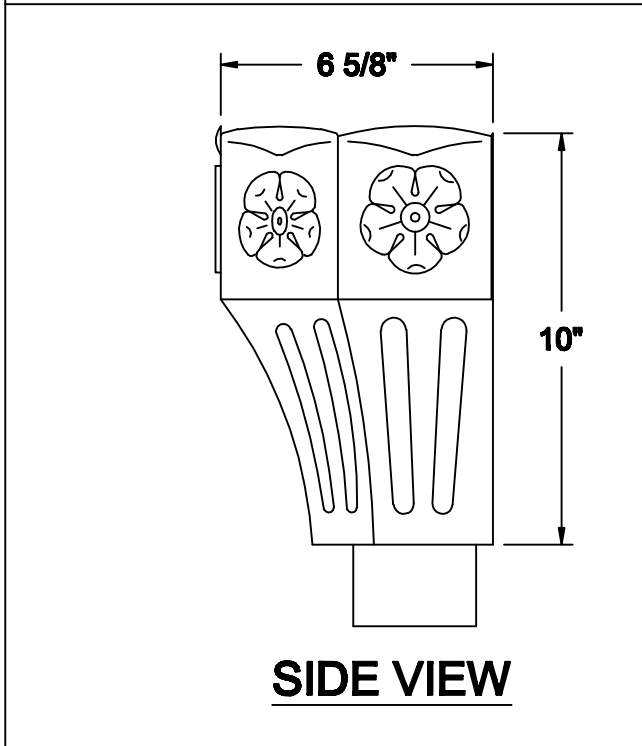
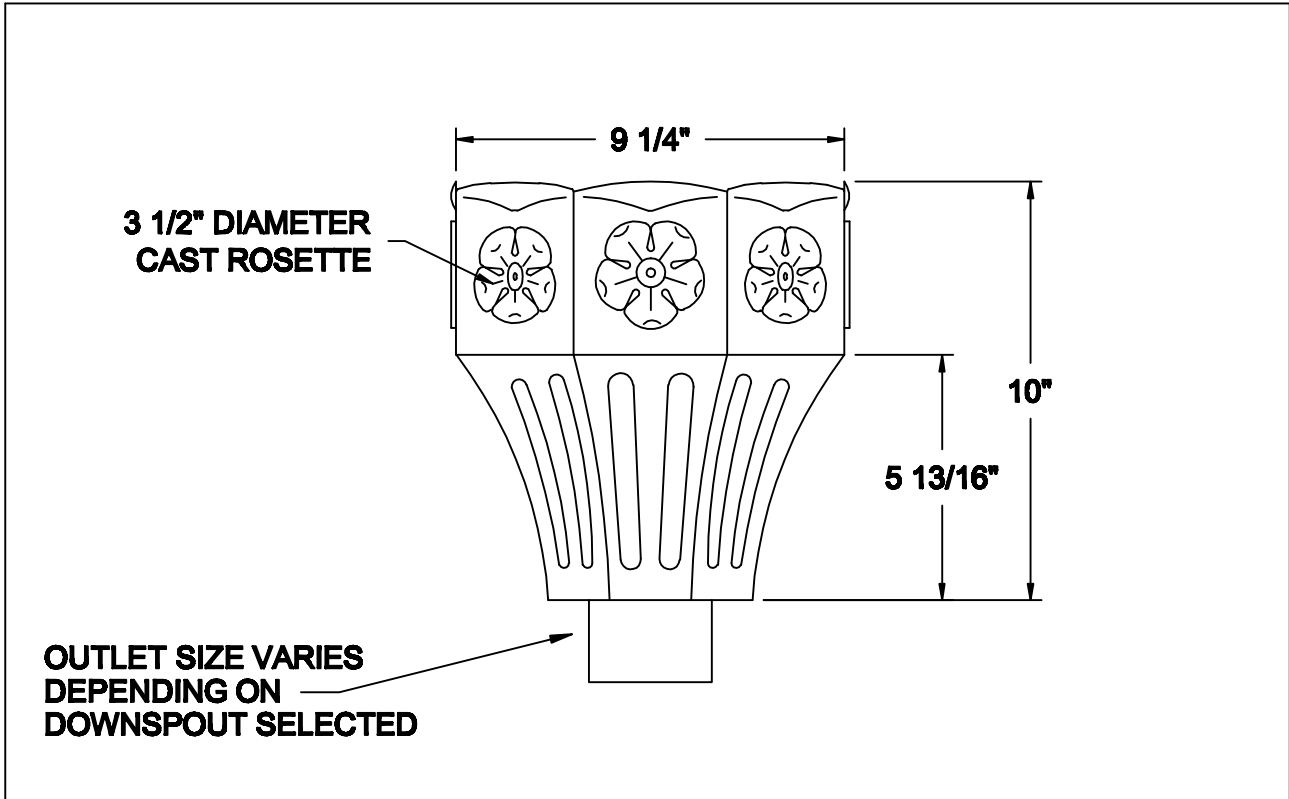


CONDUCTOR HEADS THE STONEHENGE



AVAILABLE MATERIALS
COPPER ZINC/TIN COATED COPPER PRE WEATHERED ZINC