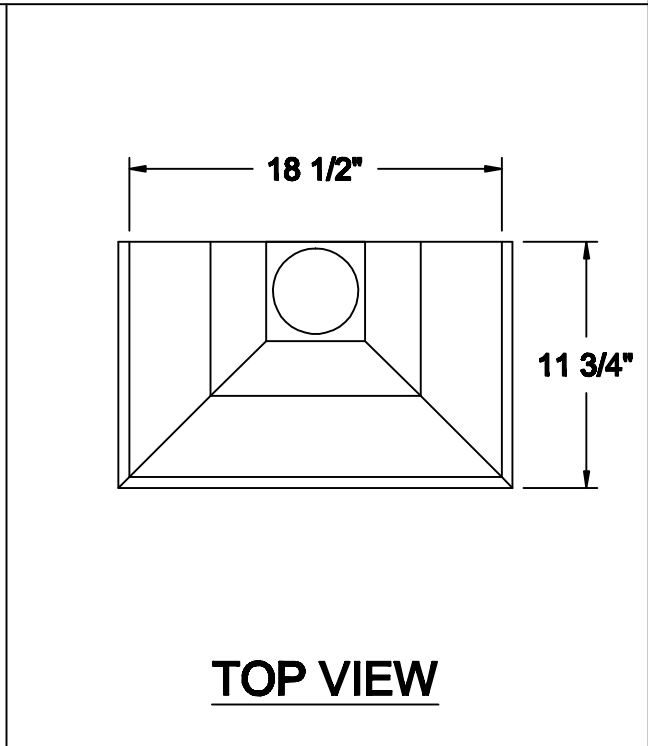
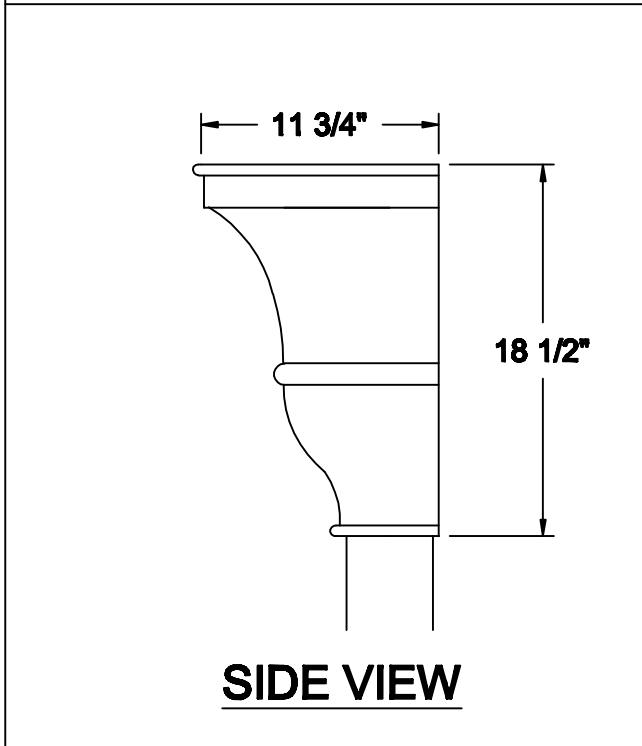
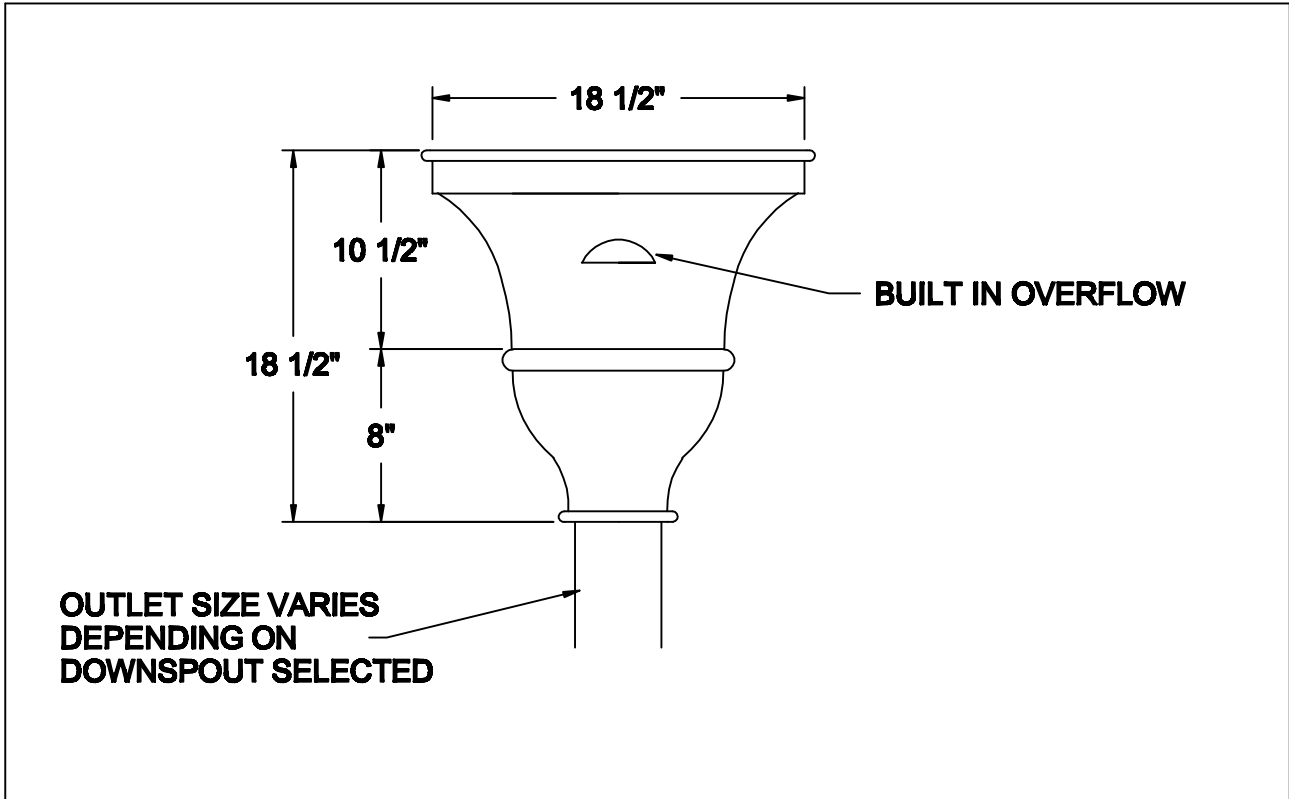


CONDUCTOR HEADS THE STRATFORD



AVAILABLE MATERIALS

COPPER ZINC/TIN COATED COPPER ALUMINUM PRE WEATHERED ZINC

PAINT GRIP STEEL GALVANIZED