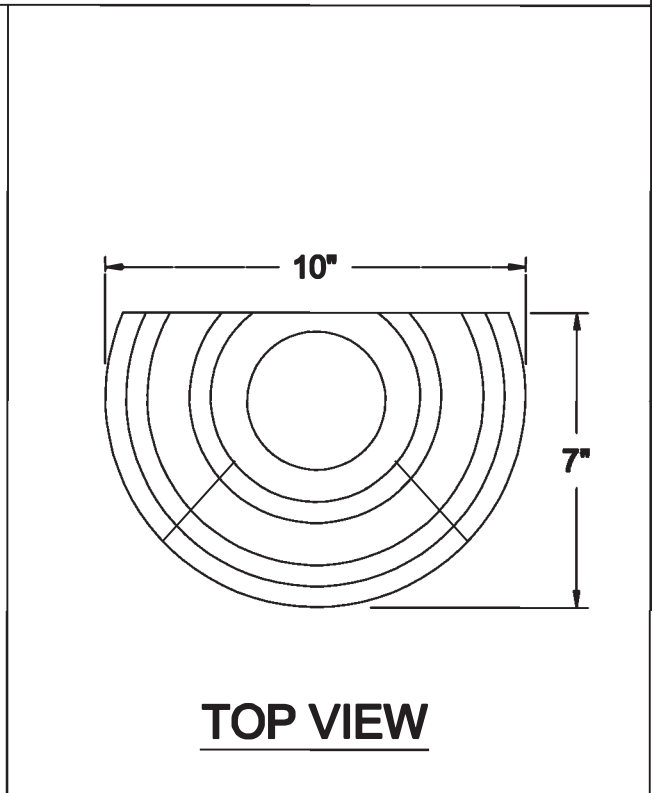
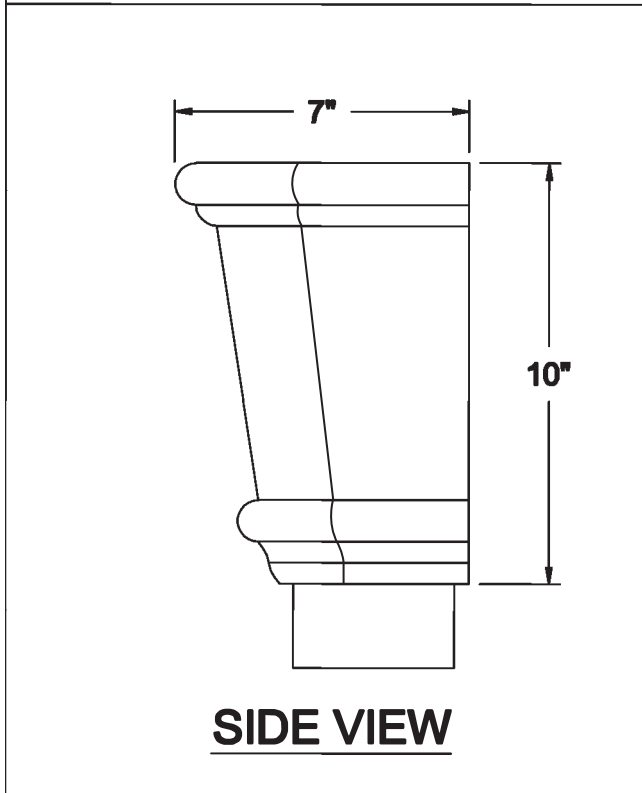
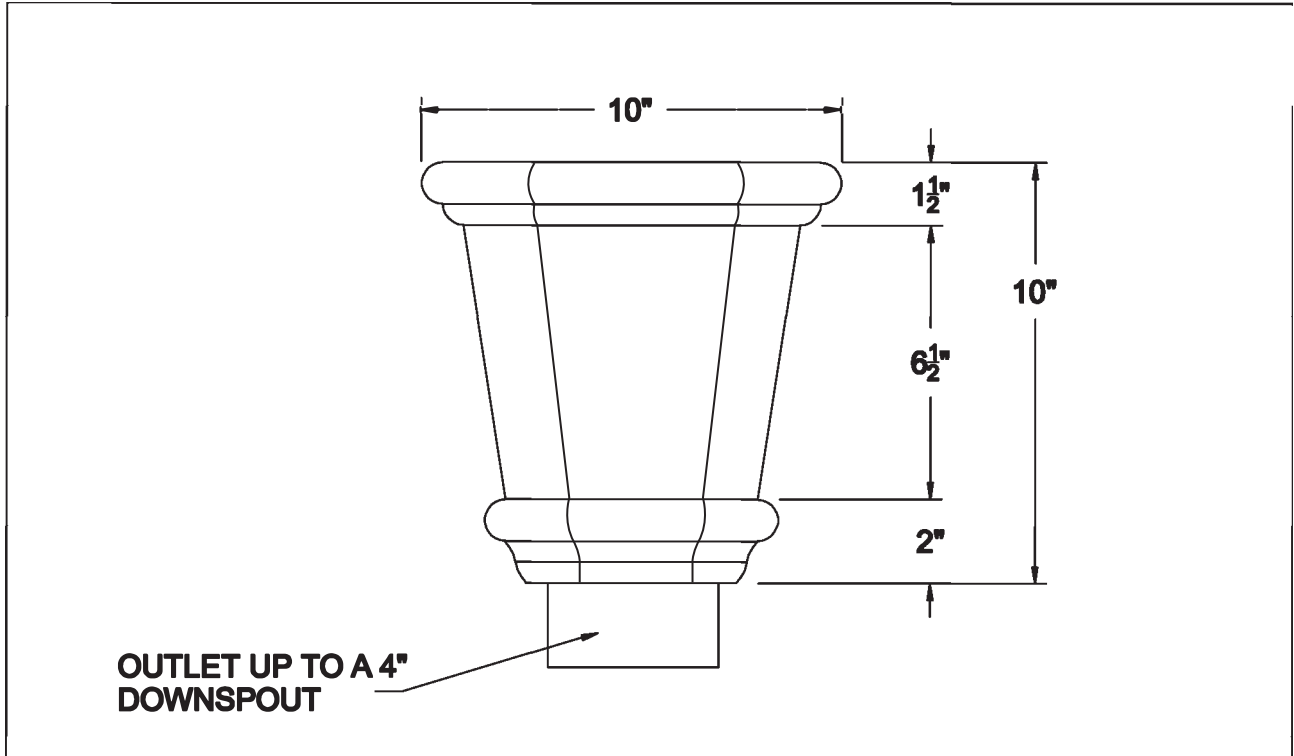


CONDUCTOR HEADS THE WARWICK



AVAILABLE MATERIALS
COPPER FREEDOM GRAY COPPER ALUMINUM