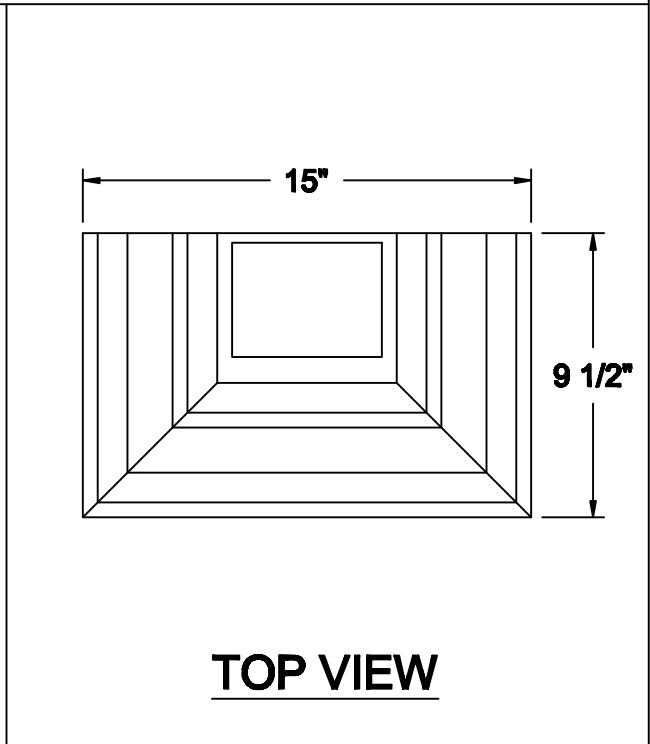
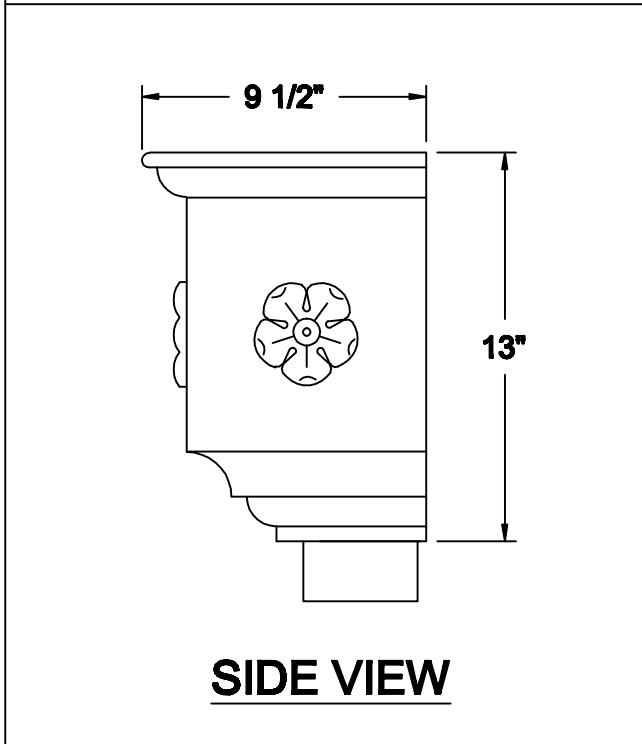
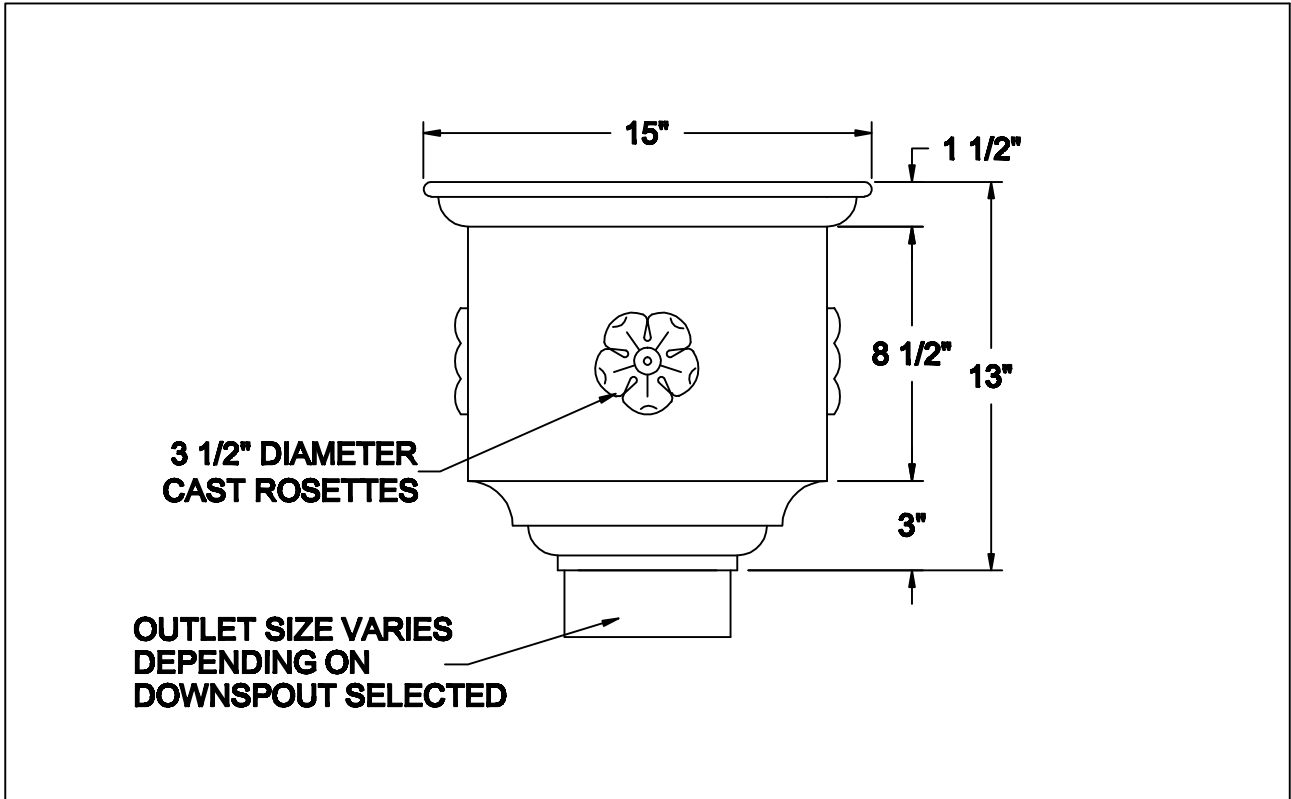


CONDUCTOR HEADS THE WINDSOR



AVAILABLE MATERIALS

COPPER	ZINC/TIN COATED COPPER	ALUMINUM	PAIN T GRIP STEEL	PRE WEATHERED ZINC GALVANIZED
--------	------------------------	----------	-------------------	-------------------------------